

LS1300TL2-WRC

## 1 .ABSOLUTE MAXIMUM RATING (Ta=25 )

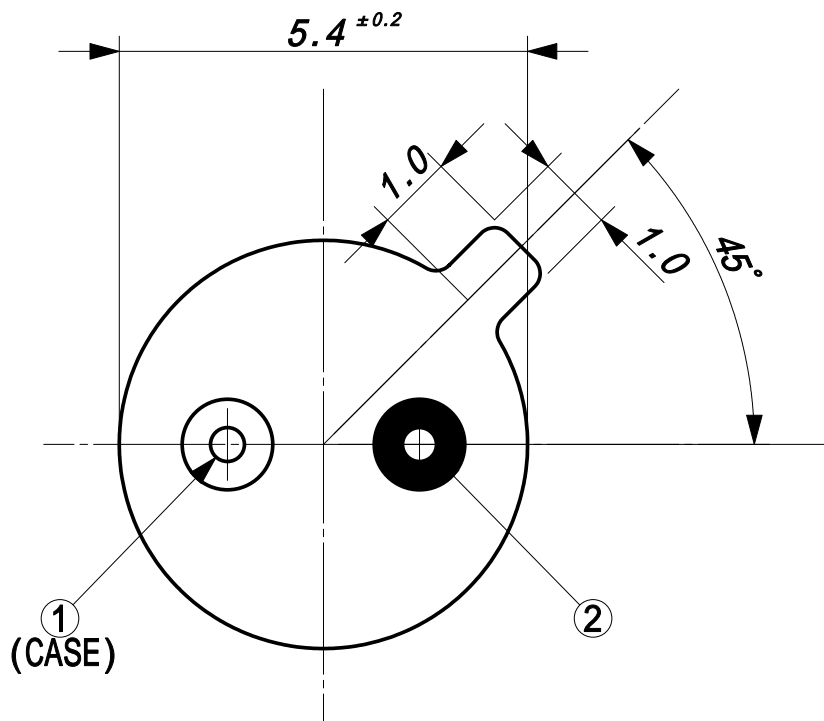
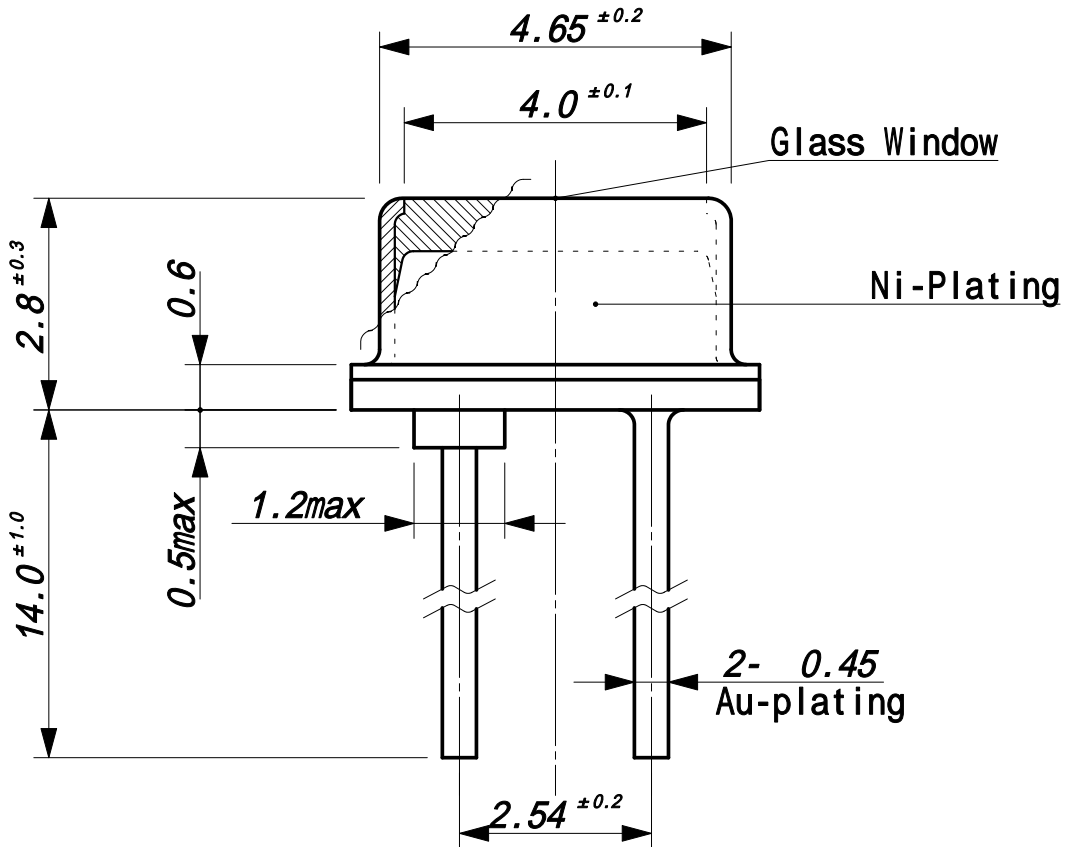
I T E M	SYMBOL	R A T I N G S	UNIT
Forward Current(DC)	I F	1 0 0	mA
Forward Current(Pulse)	I F P	1 * 1	A
Reverse Voltage	V R	5	V
Power Dissipation	P D	1 0 0	mW
Operating Temp.	Topr	- 2 5 ~ + 8 5	
Storage Temp.	Tstg	- 3 0 ~ + 1 0 0	
Lead Soldering Temp.*2	Tls	2 6 0	

\* 1 t w=1 0 u S, t=1 0 m S

\* 2 Time 5 Sec max, Position; Up to 3mm from the body

## 2 .ELECTRICAL &amp; OPTICAL CHARACTERISTICS (Ta=25 )

I T E M	SYMBOL	Min.	TYP.	MAX.	UNIT	CONDITION
Power Output	P O		1 . 0		mW	I F=5 0 mA
Forward Voltage	V F		0 . 8	1 . 1	V	I F=5 0 mA
Reverse Current	I R			1 0 0	$\mu$ A	V R=5 V
Peak Wavelength	P		1 3 0 0		nm	I F=5 0 mA
Spectral Line Half Width			7 0		nm	I F=5 0 mA
Half Intensity Beam Angle			$\pm$ 4 5		deg.	I F=5 0 mA



Cathode  
Anode

CHK BY	DWG BY T.Naka	TITLE LS1300TL2-WRC
DATE 2010.9.15	SCALE UNIT 10/1 mm	DWG.No.