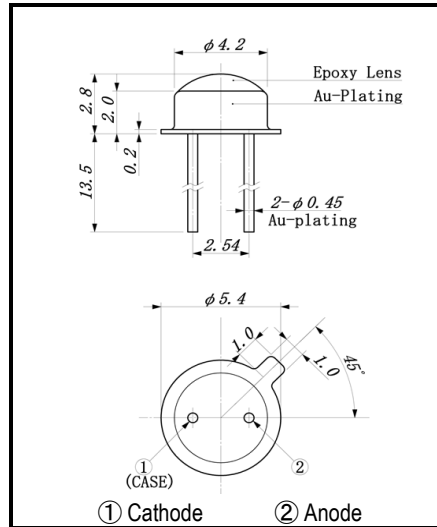


PD139M

Photo Diode



Dimensions (Unit:mm)

- FEATURES**
- Low Dark Current
 - Wide Angular Response
 - High Reliability in Demanding Environments

- APPLICATIONS**
- Optical Switches
 - Edge Sensing
 - Fiber Optical Communications
 - Smoke Detectors

1. ABSOLUTE MAXIMUM RATINGS (Ta=25°C)

ITEM	SYMBOL	RATINGS	UNIT
Reverse Voltage	VR	30	V
Power Dissipation	PD	100	mW
Operating Temp.	Topr	-20 TO 100	°C
Storage Temp.	Tstg	-30 TO 125	°C
Junction Temp.	Tj	125	°C
Lead Soldering Temp.*1	Tls	260	°C

*1:Time 5 Sec max,Position:Up to 3mm from the body

2.ELECTRICAL & OPTICAL CHARACTERISTICS (Ta=25°C)

ITEM	SYMBOL	CONDITIONS	MIN	TYP	MAX	UNIT
Light Current	IL	VR=10V,Ee=5mW/cm2※		30		μA
Dark Current	ID	VR=10V			10	nA
Junction Capacitance	Cj	VR=2.5V,f=1MHz		6	12	pF
Spectral Sensitivity	λ		400		1060	nm
Peak Sensitivity Wave Length	λp			940		nm
Light Sensitivity	S	VR=0V, λ =900nm		0.58		A/W

※ Color Temperature=2870°K Standard Tungsten Lump

