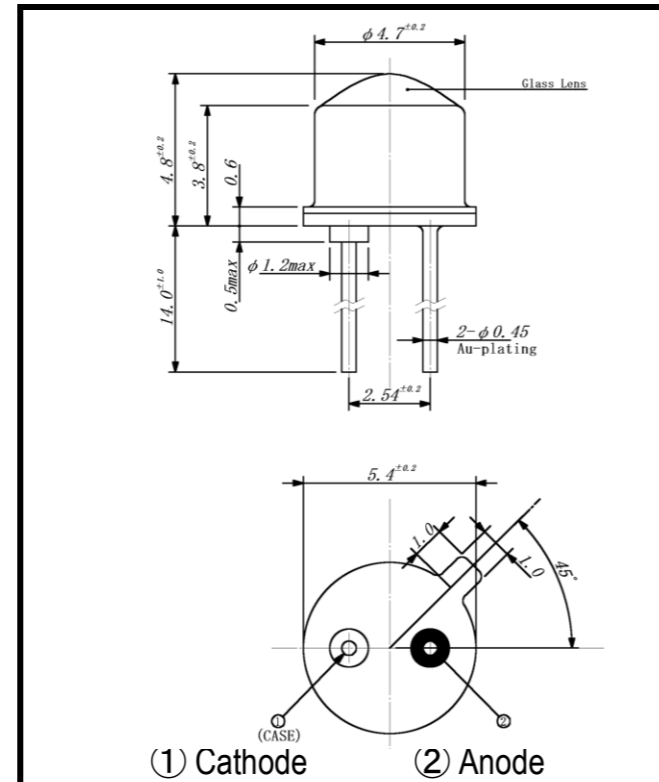


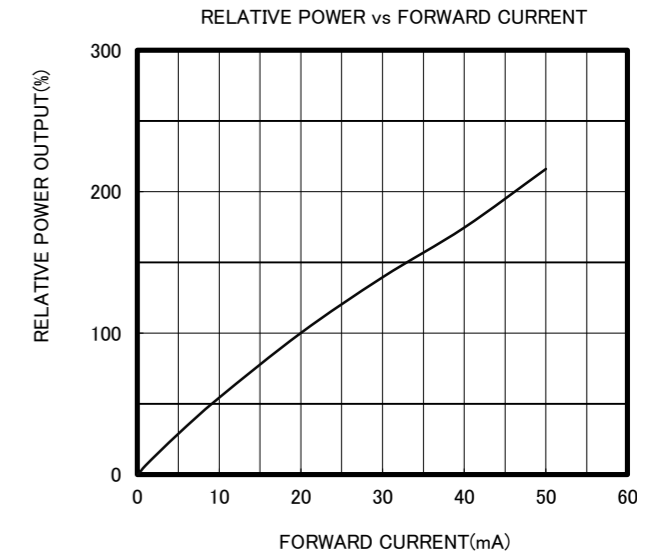
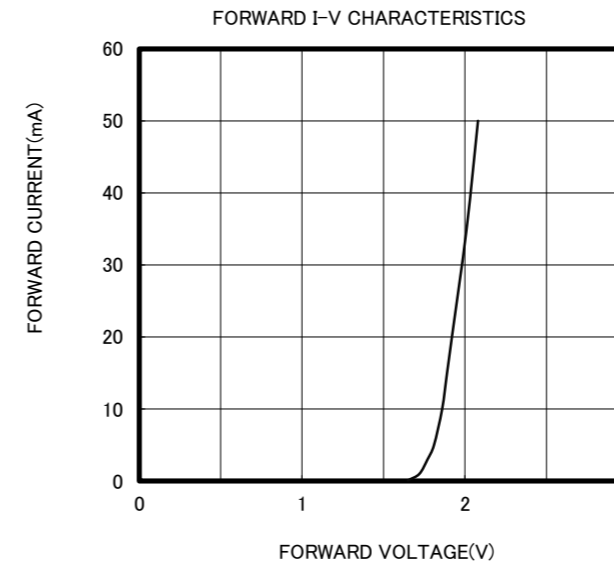
# VS657NJ2



- FEATURES**
- Red Color Point-Source LED
  - Parallel Rays (Excellent)
- APPLICATIONS**
- Optical Switches
  - Linear & Rotary Encoder

## 2. ELECTRICAL & OPTICAL CHARACTERISTICS (Ta=25°C)

ITEM	SYMBOL	CONDITIONS	MIN	TYP	MAX	UNIT
Power Output	PO	IF=20mA		1.0		mW
Forward Voltage	VF	IF=20mA		1.9	2.4	V
Reverse Current	IR	VR=5V			10	μA
Peak Wavelength	λp	IF=20mA		650		nm
Spectral Line Half Width	Δλ	IF=20mA		5		nm
Half Intensity Beam Angle	θ	IF=20mA		±5		deg.

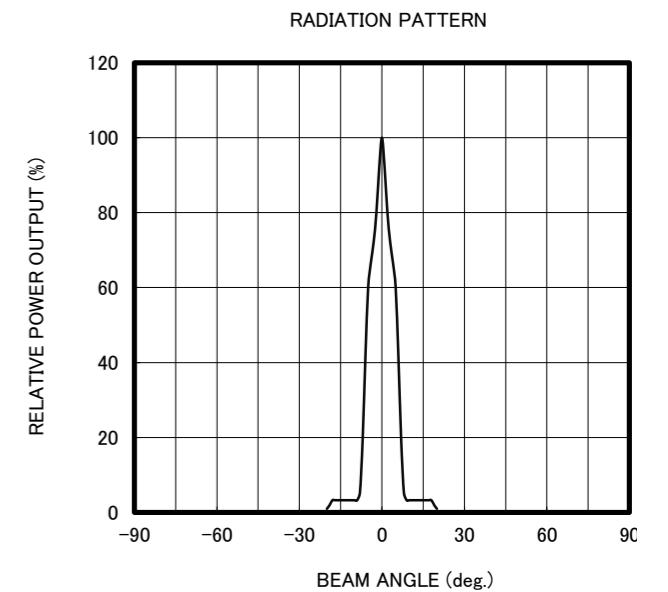
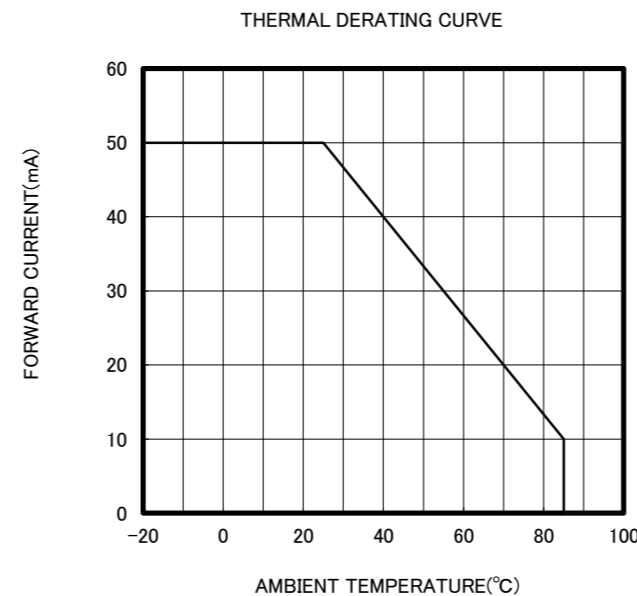
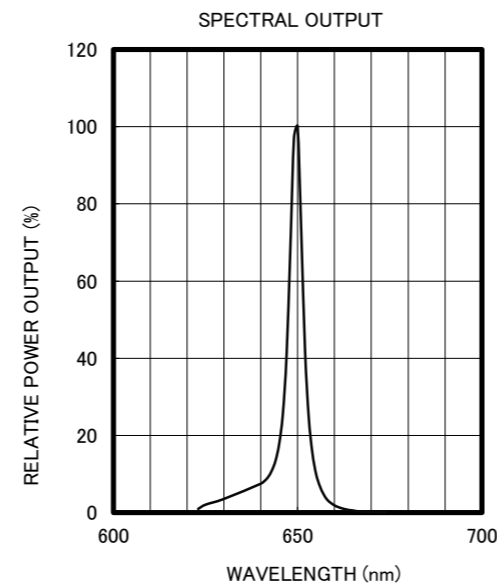


## 1. ABSOLUTE MAXIMUM RATINGS (Ta=25°C)

ITEM	SYMBOL	RATINGS	UNIT
Forward Current (DC)	IF	50	mA
Forward Current (Pulse)*1	IFP	0.3	A
Reverse Voltage	VR	5	V
Power Dissipation	PD	125	mW
Operating Temp.	Topr	-20 TO 85	°C
Storage Temp.	Tstg	-30 TO 100	°C
Junction Temp.	Tj	100	°C
Lead Soldering Temp.*2	Tls	260	°C

\*1: Tw=10μs, T=10ms

\*2: Time 5 Sec max, Position: Up to 3mm from the body



**OPTRANS**

241, NOBORITO, TAMA-KU, KAWASAKI 214-0014, JAPAN  
 TEL.81(44)932-6491 / FAX.81(44)932-8281  
 E-mail optrans@optrans.com