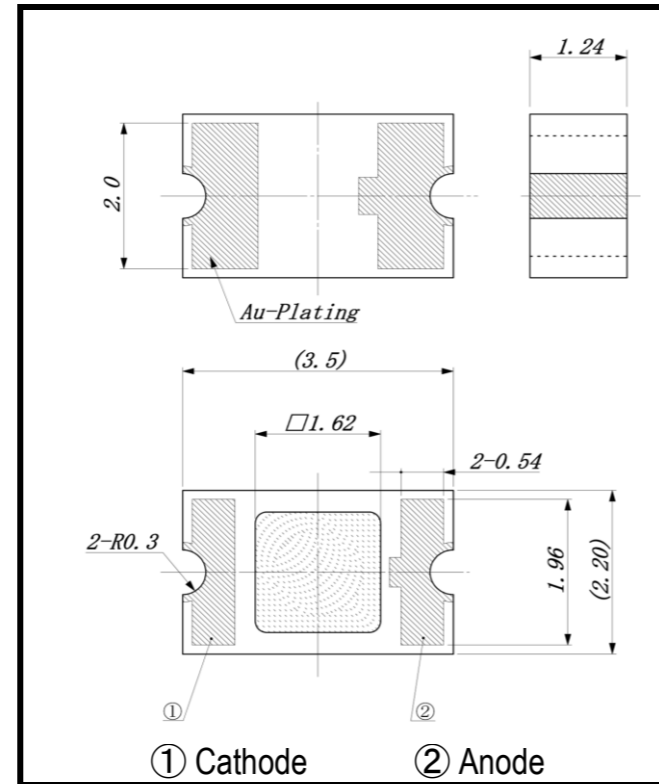
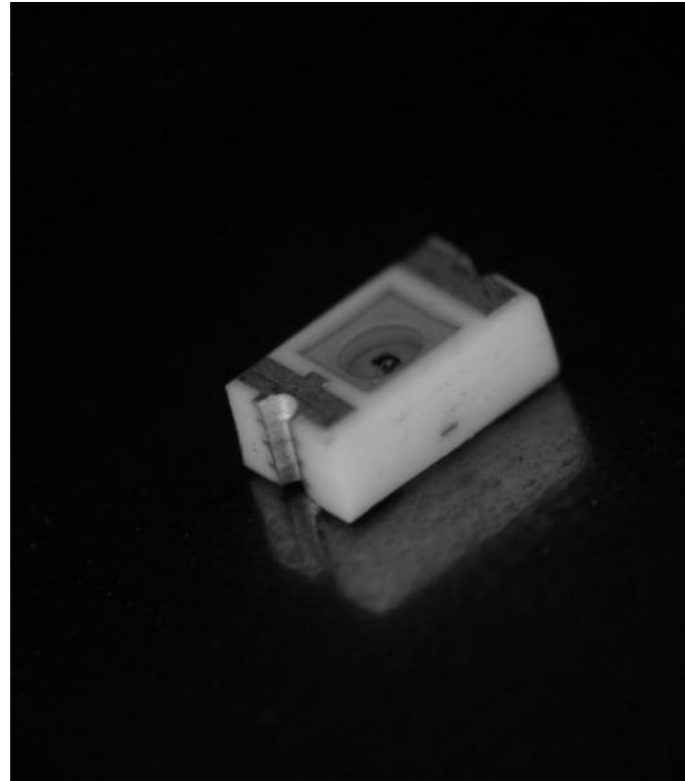


# VS657SMC



- FEATURES**
- Red Color Point-Source LED
  - Emitting Window Dia.  $\phi$  150  $\mu$  m
- APPLICATIONS**
- Optical Switches
  - Linear & Rotary Encoder

## 1. ABSOLUTE MAXIMUM RATINGS (Ta=25°C)

ITEM	SYMBOL	RATINGS	UNIT
Forward Current (DC)	IF	50	mA
Forward Current (Pulse)*1	IFP	0.3	A
Reverse Voltage	VR	5	V
Power Dissipation	PD	120	mW
Operating Temp.	Topr	-20 TO 80	°C
Storage Temp.	Tstg	-30 TO 100	°C
Lead Soldering Temp.*2	Tls	260	°C

\*1:Tw=10uS,T=10mS

\*2:Time 5 Sec max,Position:Up to 3mm from the body

## 2. ELECTRICAL & OPTICAL CHARACTERISTICS (Ta=25°C)

ITEM	SYMBOL	CONDITIONS	MIN	TYP	MAX	UNIT
Power Output	PO	IF=20mA		1.6		mW
Forward Voltage	VF	IF=20mA		1.9	2.4	V
Reverse Current	IR	VR=5V			100	$\mu$ A
Peak Wavelength	$\lambda_p$	IF=20mA		650		nm
Spectral Line Half Width	$\Delta \lambda$	IF=20mA		5		nm
Half Intensity Beam Angle	$\theta$	IF=20mA		$\pm 45$		deg.

