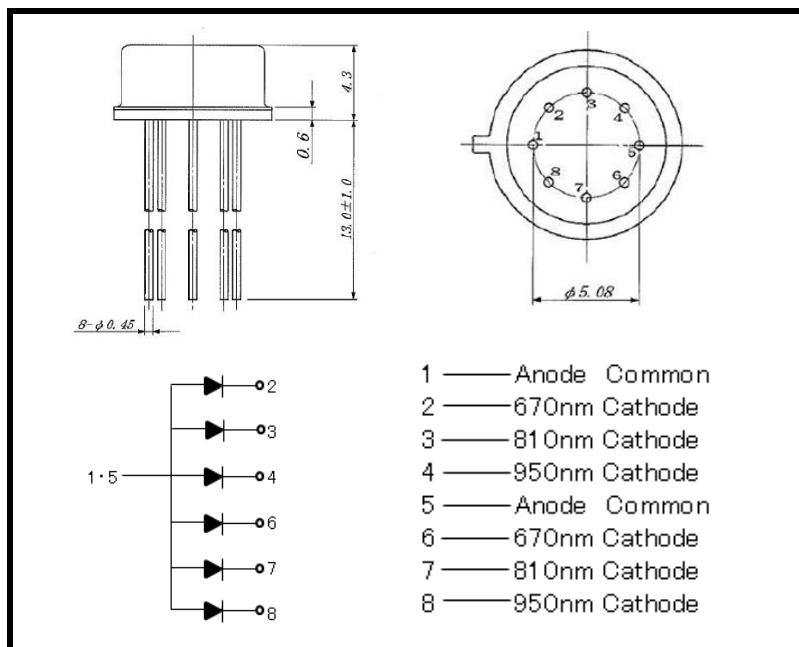
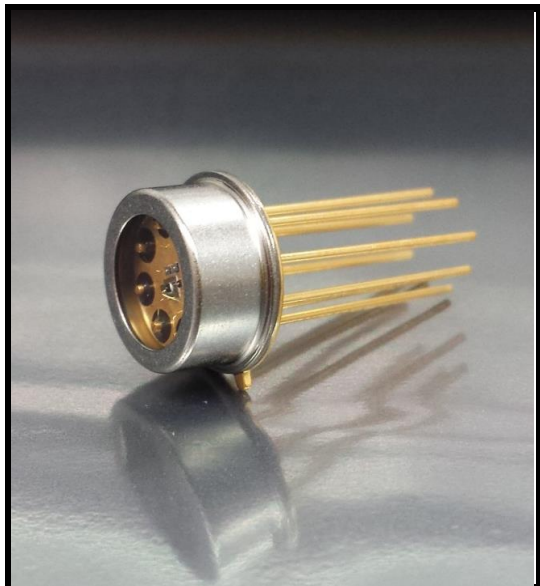


# MTMD6894T38



◆ ABSOLUTE MAXIMUM RATINGS (Ta=25°C)

ITEM	SYMBOL	Maximum Rated Value			UNIT
		670	810	950	
Forward Current (DC)	IF	50	100	100	mA
Forward Current (Pulse)*1	IFP	0.5	1	1	A
Reverse Voltage	VR	5			V
Power Dissipation	PD	110	190	100	mW
Operating Temp.	Topr	-20 TO 85			°C
Storage Temp.	Tstg	-30 TO 100			°C
Junction Temp.	Tj	100			°C
Lead Soldering Temp.*2	Tls	260			°C

\*1:Tw=10uS,T=10mS \*2:Time 5 Sec max,Position:Up to 3mm from the body

◆ ELECTRICAL & OPTICAL CHARACTERISTICS (Ta=25°C)

ITEM	SYMBOL	Wavelength	Condition	MIN	TYP	MAX	UNIT
Forward Voltage	VF	670	IF=20mA		1.8	2.2	V
		810		1.6	1.9		
		950		1.25	1.9		
Reverse Current	IR		VR=5V			100	µA
Power Output	PO	670	IF=20mA		3.1		mW
		810		3			
		950		7			
Peak Wavelength	λp	670	IF=21mA		670		nm
		810		810			
		950		950			
Spectral Line Half Width	Δλ	670	IF=20mA		25		nm
		810		30			
		950		45			