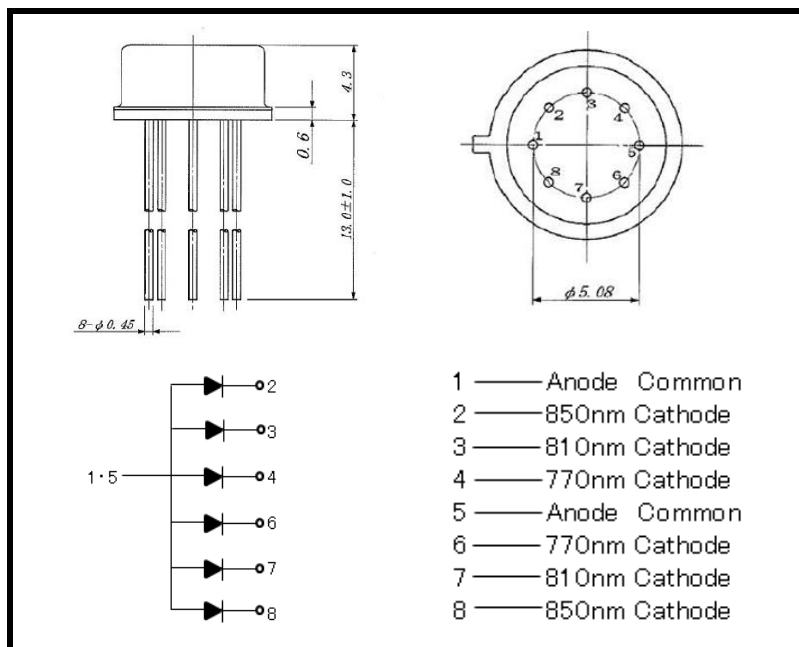
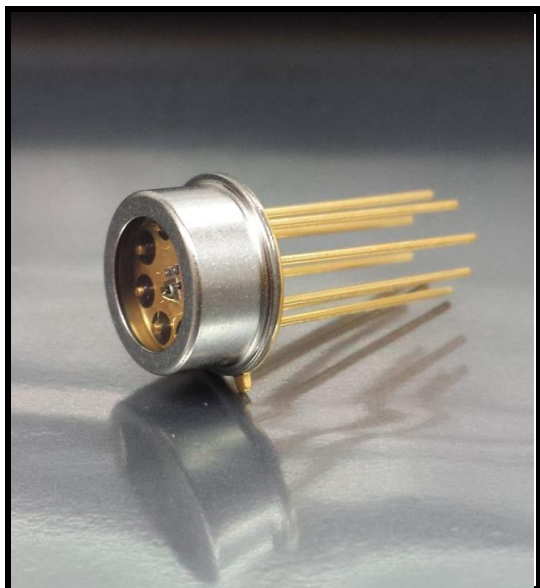


# MTMD7885T38



◆ABSOLUTE MAXIMUM RATINGS (Ta=25°C)

ITEM	SYMBOL	Maximum Rated Value			UNIT
		770	810	850	
Forward Current (DC)	IF	50	100	100	mA
Forward Current (Pulse)*1	IFP	0.5	1	1	A
Reverse Voltage	VR	5			V
Power Dissipation	PD	100	220	190	mW
Operating Temp.	Topr	-20 TO 85			°C
Storage Temp.	Tstg	-30 TO 100			°C
Junction Temp.	Tj	100			°C
Lead Soldering Temp.*2	Tls	260			°C

\*1:Tw=10uS,T=10mS \*2:Time 5 Sec max,Position:Up to 3mm from the body

◆ELECTRICAL & OPTICAL CHARACTERISTICS (Ta=25°C)

ITEM	SYMBOL	Wavelength	Condition	MIN	TYP	MAX	UNIT
Forward Voltage	VF	770	IF=20mA		1.6	2	V
		810		1.55	1.9		
		850		1.4	1.8		
Reverse Current	IR		VR=5V			100	µA
Power Output	PO	770	IF=20mA		3.1		mW
		810		3			
		850		2.7			
Peak Wavelength	λp	770	IF=20mA		770		nm
		810		810			
		850		850			
Spectral Line Half Width	Δλ	770	IF=20mA		25		nm
		810		30			
		850		35			