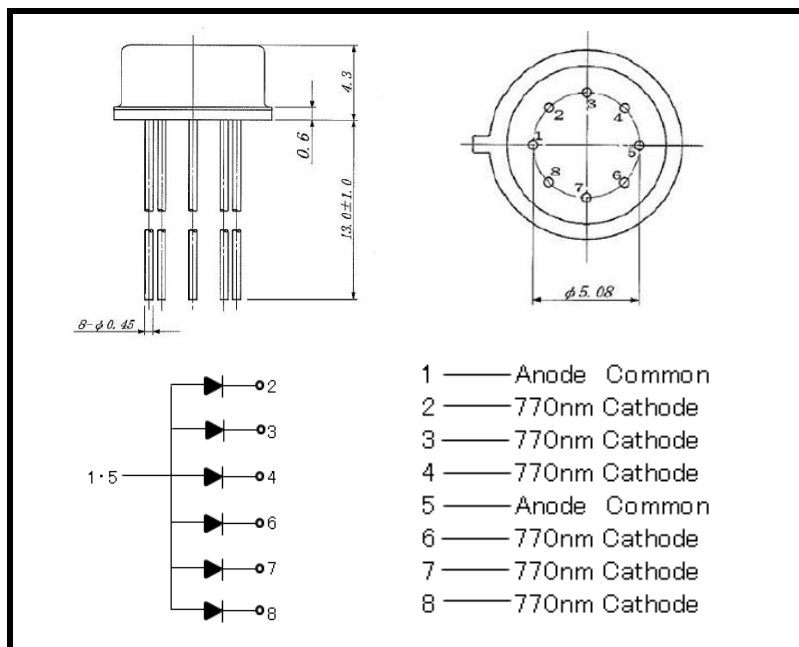
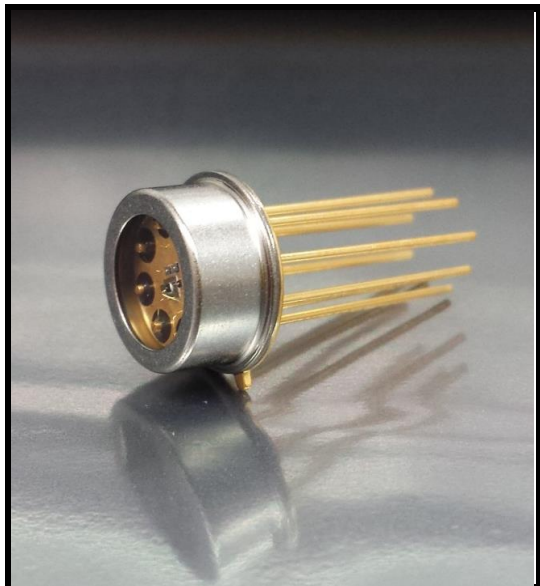


# MTMS7700T38



◆ABSOLUTE MAXIMUM RATINGS (Ta=25°C)

ITEM	SYMBOL	Maximum Rated Value		UNIT
		770		
Forward Current (DC)	IF	50		mA
Forward Current (Pulse)*1	IFP	0.5		A
Reverse Voltage	VR	5		V
Power Dissipation	PD	100		mW
Operating Temp.	Topr	-20 TO 85		°C
Storage Temp.	Tstg	-30 TO 100		°C
Junction Temp.	Tj	100		°C
Lead Soldering Temp.*2	Tls	260		°C

\*1:Tw=10uS,T=10mS \*2:Time 5 Sec max,Position:Up to 3mm from the body

◆ELECTRICAL & OPTICAL CHARACTERISTICS (Ta=25°C)

ITEM	SYMBOL	Wavelength	Condition	MIN	TYP	MAX	UNIT
Forward Voltage	VF	770	IF=20mA		1.6	2.0	V
Reverse Current	IR		VR=5V			100	μA
Power Output	PO	770	IF=20mA		3.1		mW
Peak Wavelength	λp	770	IF=20mA		770		nm
Spectral Line Half Width	Δλ	770	IF=20mA		25		nm