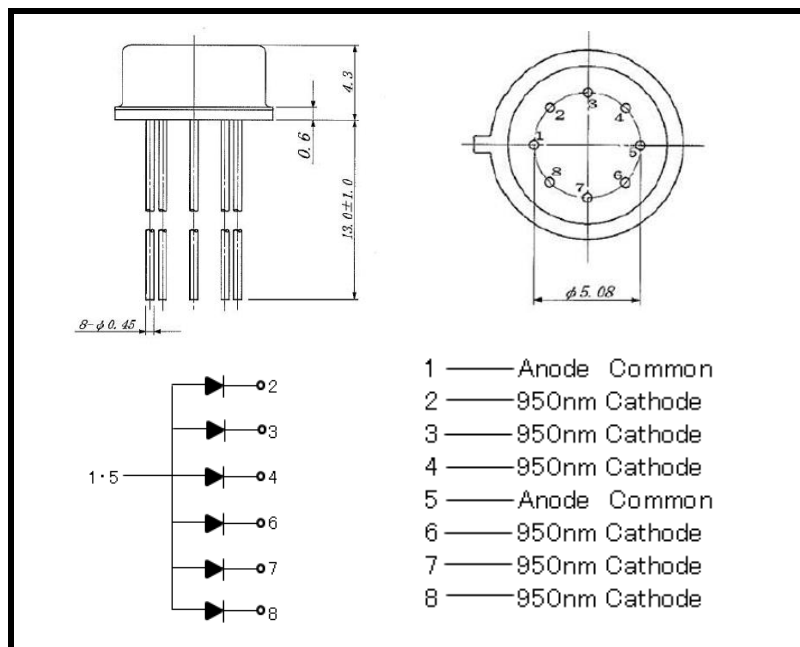
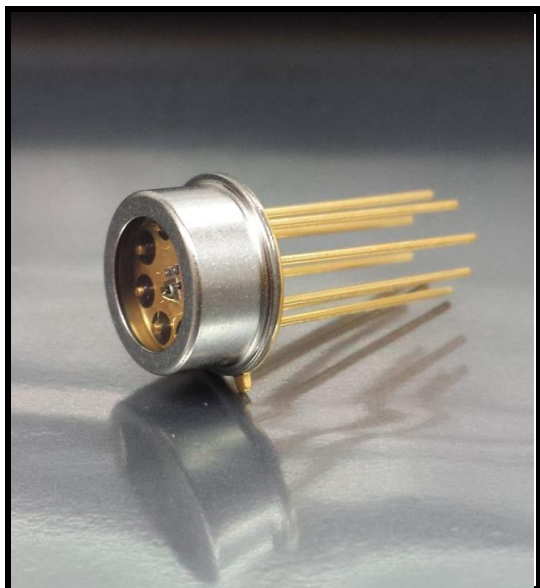


MTMS9400T38

## ◆ ABSOLUTE MAXIMUM RATINGS (Ta=25°C)

ITEM	SYMBOL	Maximum Rated Value		UNIT
		950		
Forward Current (DC)	IF	100		mA
Forward Current (Pulse)*1	IFP	1		A
Reverse Voltage	VR	5		V
Power Dissipation	PD	190		mW
Operating Temp.	Topr	-20 TO 85		°C
Storage Temp.	Tstg	-30 TO 100		°C
Junction Temp.	Tj	100		°C
Lead Soldering Temp.*2	TIs	260		°C

\*1:Tw=10uS,T=10mS \*2:Time 5 Sec max,Position:Up to 3mm from the body

## ◆ ELECTRICAL &amp; OPTICAL CHARACTERISTICS (Ta=25°C)

ITEM	SYMBOL	Wavelength	Condition	MIN	TYP	MAX	UNIT
Forward Voltage	VF	950	IF=50mA		1.30	1.9	V
Reverse Current	IR		VR=5V			10	μA
Power Output	PO	950	IF=50mA		18.0		mW
Peak Wavelength	λp	950	IF=50mA		950		nm
Spectral Line Half Width	Δλ	950	IF=50mA		45		nm