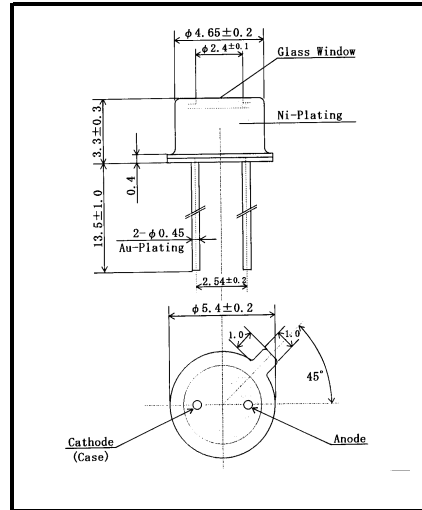


LS853TS

POINT SOURCE

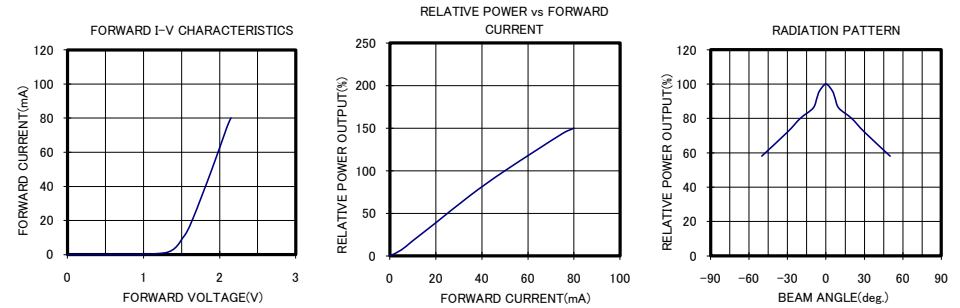


Dimensions (Unit:mm)

2.ELECTRICAL & OPTICAL CHARACTERISTICS (Ta=25°C)

| ITEM | SYMBOL | CONDITIONS | MIN | TYP | MAX | UNIT |
|---------------------------|----------------|-----------------------------|-----|-----|-----|-------|
| Power Output | PO | IF=50mA | | 2.8 | | mW |
| Forward Voltage | VF | IF=50mA | | 1.8 | 2.4 | V |
| Reverse Current | IR | VR=5V | | | 10 | μA |
| Peak Wavelength | λ _p | IF=50mA | | 850 | | nm |
| Spectral Line Half Width | Δλ | IF=50mA | | 33 | | nm |
| Half Intensity Beam Angle | θ | IF=50mA | | ±50 | | deg. |
| Band Width | f _c | IF=50mA+20mA _{p-p} | | | | MHz |
| Junction Capacitance | C _j | 1MHz, V=0V | | | | pF |
| Temp. Coefficient of PO | P/T | IF=10mA | | | | %/°C |
| Temp. Coefficient of VF | V/T | IF=10mA | | | | mV/°C |

- FEATURES**
- Point-Source LED
 - Emitting Window Dia. $\phi 50 \mu\text{m}$
 - High-output Power
 - Small Temp. Coefficient of PO
 - High Reliability in Demanding Environments
- APPLICATIONS**
- Optical Switches
 - Optical Instruments

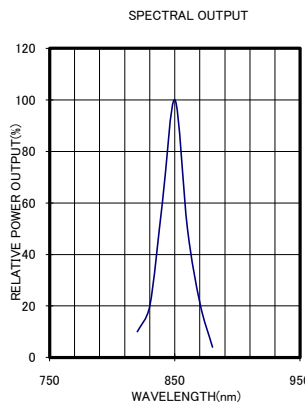


1. ABSOLUTE MAXIMUM RATINGS

| ITEM | SYMBOL | RATINGS | UNIT |
|---------------------------|------------------|------------|------|
| Forward Current (DC) | IF | 80 | mA |
| Forward Current (Pulse)*1 | IFP | 0.4 | A |
| Reverse Voltage | VR | 5 | V |
| Power Dissipation | PD | 150 | mW |
| Operating Temp. | T _{opr} | -30 TO 100 | °C |
| Storage Temp. | T _{stg} | -40 TO 125 | °C |
| Junction Temp. | T _j | 125 | °C |
| Lead Soldering Temp.*2 | T _{ls} | 260 | °C |

*1:Tw=10μs,T=10mS

*2:Time 5 Sec max,Position:Up to 3mm from the body



OPTRANS

2-6-11 MASUKATA,TAMA-KU, KAWASAKI 214-0032.JAPAN
 TEL.81(44)932-6491 / FAX.81(44)932-8281
 E-mail optrans@mb.kcom.ne.jp