

**IR Point Source LED**

**LS858SMT**

- FEATURES**
- Point-Source LED
  - Emitting Window Dia.  $\phi$ 150 $\mu$ m
  - High Reliability
- APPLICATIONS**
- Optical Switches
  - Edge Sensing

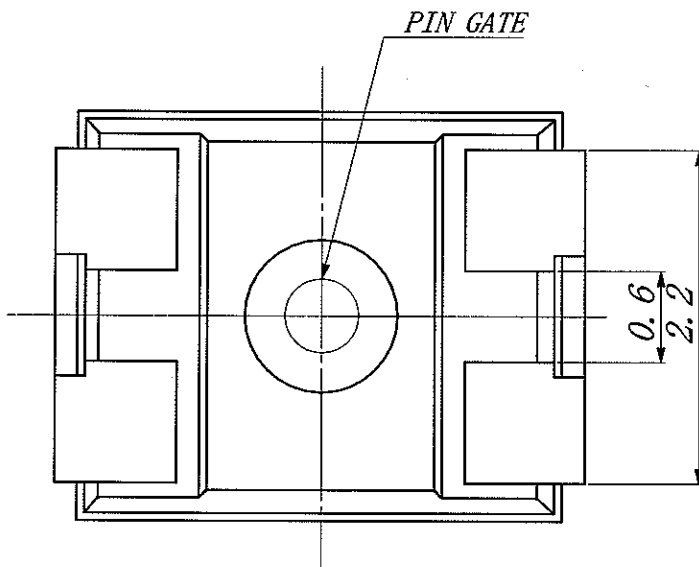
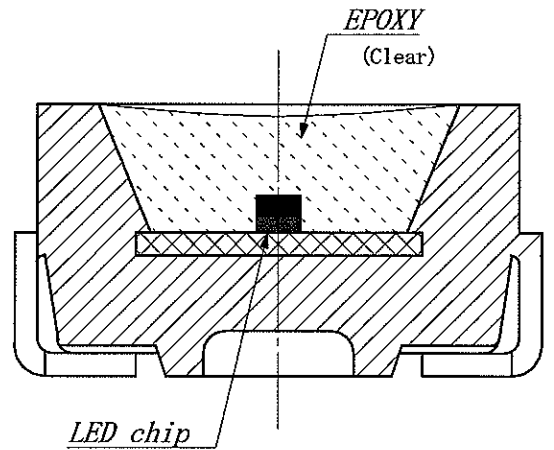
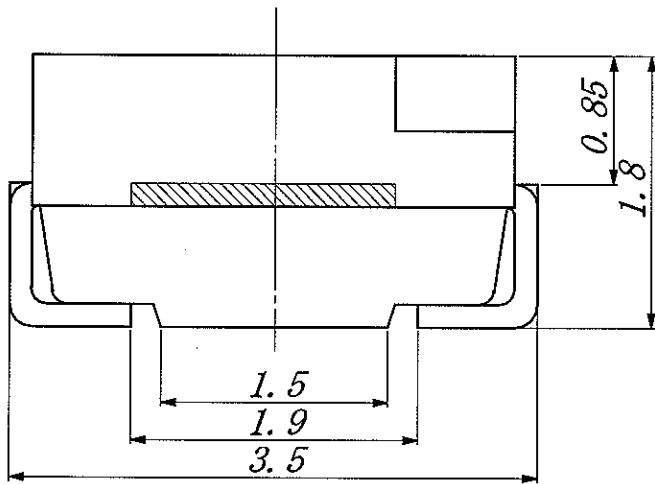
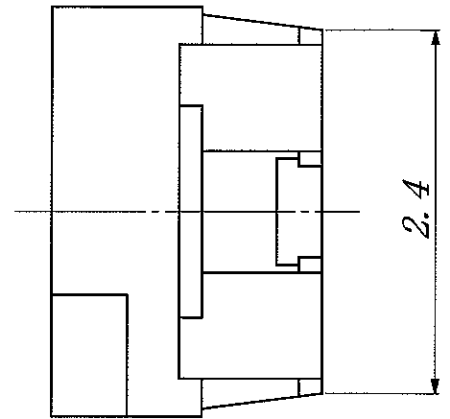
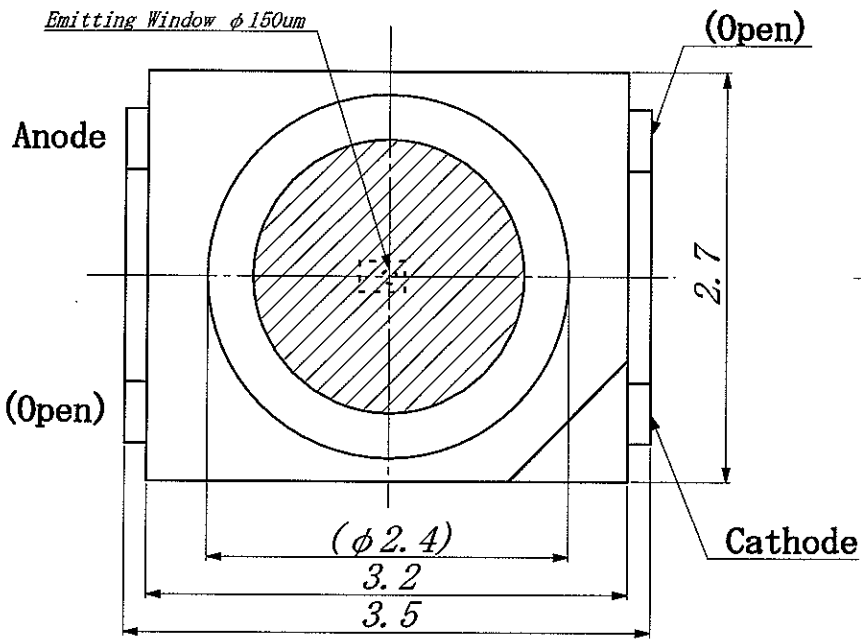
**ABSOLUTE MAXIMUM RATINGS (Ta=25°C)**

CHARACTERISTICS	SYMBOL	UNIT	RATING
Forward Current	IF	mA	60
Forward Current(Pulse) ※1	IFP	mA	400
Reverse Voltage	VR	V	5
Power Dissipation	PD	mW	110
Operating Temperature Range	Topr	°C	-20~+85
Storage Temperature Range	Tstg	°C	-30~+100

※1 Tw ≤ 100  $\mu$  sec [ 4% duty ]

**ELECTRICAL & OPTICAL CHARACTERISTICS (Ta=25°C)**

CHARACTERISTICS	SYMBOL	UNIT	MIN.	TYP.	MAX.	CONDITIONS
Power Output	Po	mW	2.0	3.0		IF=20mA
Power Output ※1	Po	mW	(25)			IFP=400mA
Forward Voltage	VF	V		1.65	2	IF=20mA
Reverse Current	IR	$\mu$ A			10	VR=5V
Peak Emission Wavelength	$\lambda_p$	nm		850		IF=20mA
Spectral Line Half Width	$\Delta\lambda$	nm		40		IF=20mA
Half Intensity Beam Angle	$\theta$	deg		±50		IF=20mA



tolerance:  $\pm 0.2$

OPTRANS Corp.

CHK BY	DWG BY T. NAKA	TITLE LS858SMT
DATE 2008. 10. 10	SCALE UNIT 20/1 mm	DWG. No.