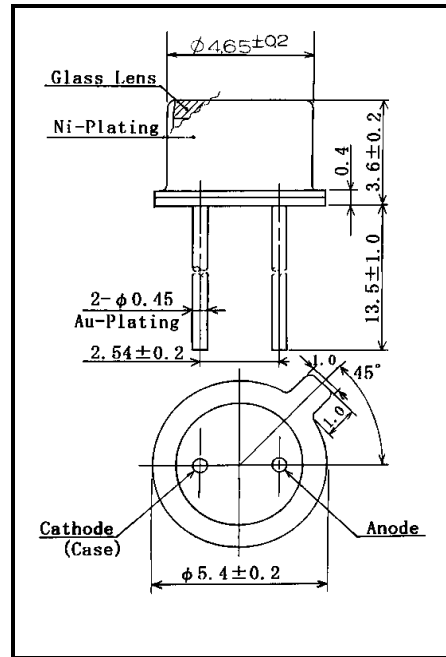
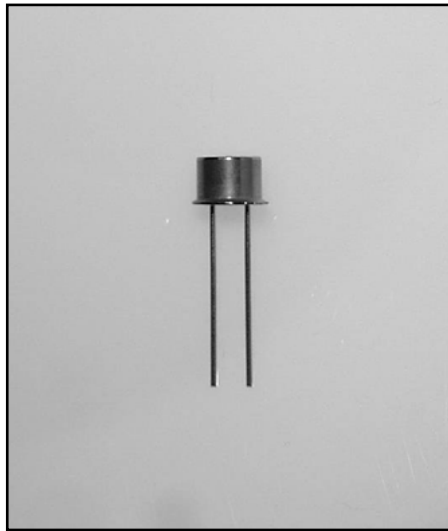


# LS858TM

# Point Source LED



Dimensions (Unit:mm)

- FEATURES**
- Point-Source LED
  - Emitting Window Dia.  $\phi$  150  $\mu$  m
  - High-output Power
  - Small Temp. Coefficient of PO
  - High Reliability in Demanding Environment
- APPLICATIONS**
- Optical Switches
  - Optical Instruments

## 1. ABSOLUTE MAXIMUM RATINGS (Ta=25°C)

ITEM	SYMBOL	RATINGS	UNIT
Forward Current (DC)	IF	100	mA
Forward Current (Pulse)*1	IFP	0.8	A
Reverse Voltage	VR	5	V
Power Dissipation	PD	190	mW
Operating Temp.	Topr	-30 TO 100	°C
Storage Temp.	Tstg	-40 TO 125	°C

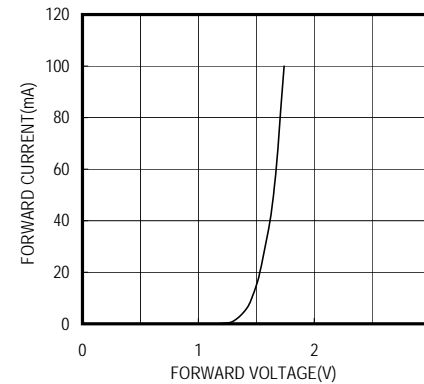
\*1: Tw=10uS, T=10mS

\*2: Time 5 Sec max, Position: Up to 3mm from the body

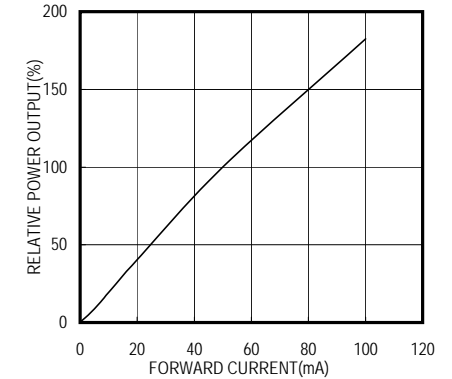
## 2. ELECTRICAL & OPTICAL CHARACTERISTICS (Ta=25°C)

ITEM	SYMBOL	CONDITIONS	MIN	TYP	MAX	UNIT
Power Output	PO	IF=50mA	3.6	6.0		mW
Forward Voltage	VF	IF=50mA		1.7	2.2	V
Reverse Current	IR	VR=5V			10	$\mu$ A
Peak Wavelength	$\lambda_p$	IF=50mA		855		nm
Spectral Line Half Width	$\Delta \lambda$	IF=50mA		30		nm
Half Intensity Beam Angle	$\theta$	IF=50mA		$\pm 20$		deg.

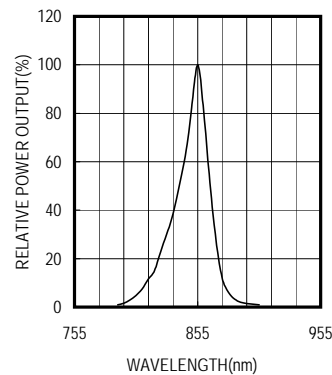
FORWARD I-V CHARACTERISTICS



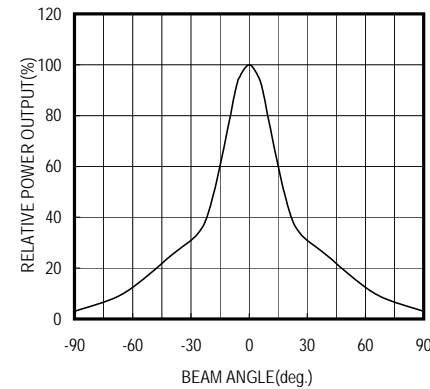
RELATIVE POWER vs FORWARD CURRENT



SPECTRAL OUTPUT



RADIATION PATTERN



THERMAL DERATING CURVE

