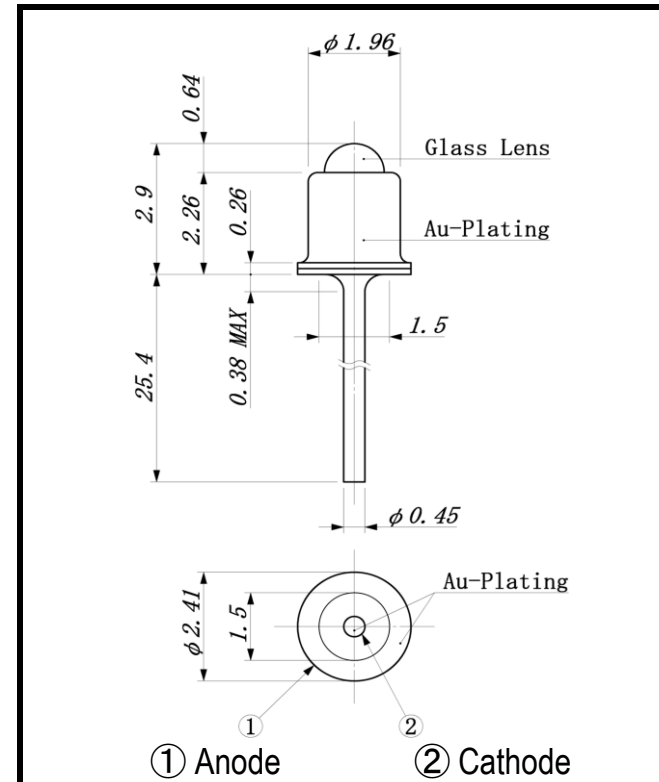
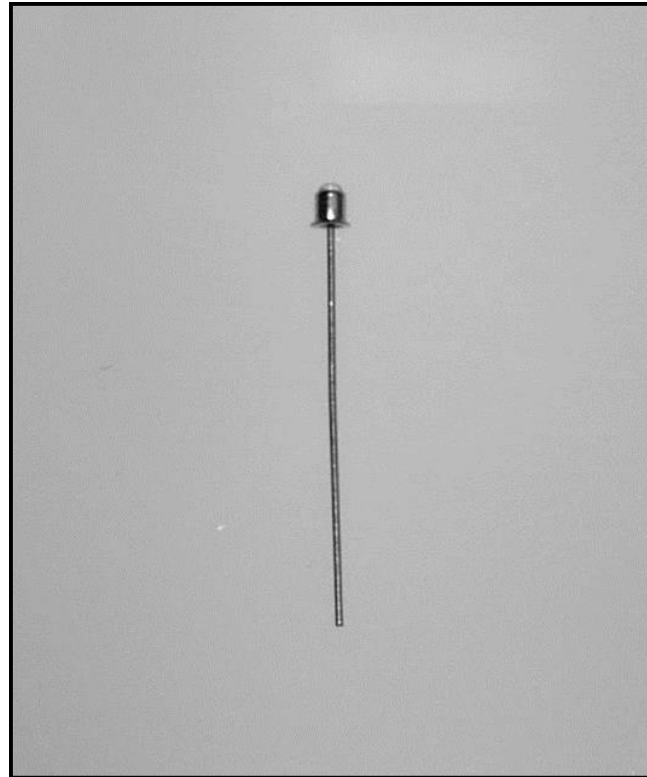


VS629PT

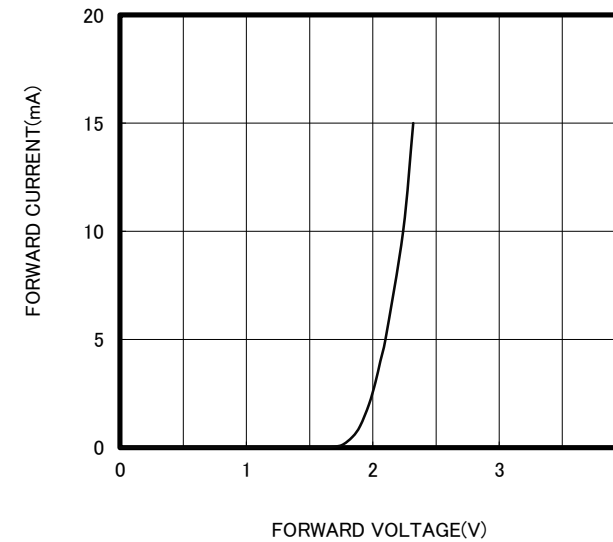


- FEATURES**
- Red Color Point-Source LED
 - Emitting Window Dia. $\phi 25 \mu\text{m}$
 - Narrow Beam Angle
- APPLICATIONS**
- Optical Switches

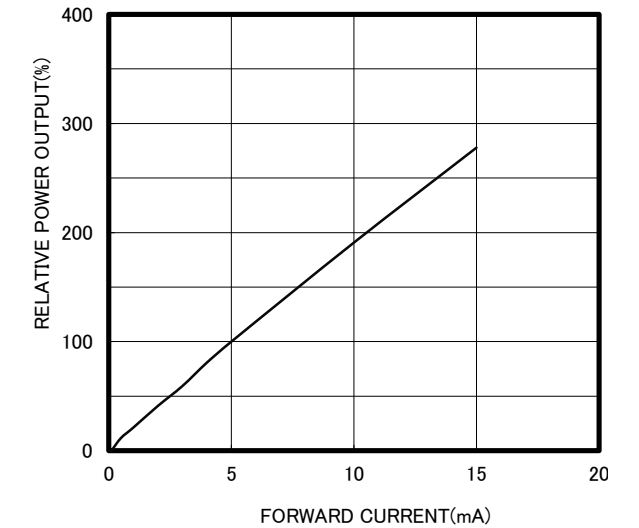
2. ELECTRICAL & OPTICAL CHARACTERISTICS (Ta=25°C)

ITEM	SYMBOL	CONDITIONS	MIN	TYP	MAX	UNIT
Power Output	PO	IF=5mA		40.0		μW
Forward Voltage	VF	IF=5mA		2.1	2.5	V
Reverse Current	IR	VR=5V			100	μA
Peak Wavelength	λ_p	IF=5mA		630		nm
Spectral Line Half Width	$\Delta \lambda$	IF=5mA		15		nm
Half Intensity Beam Angle	θ	IF=5mA		± 5		deg.

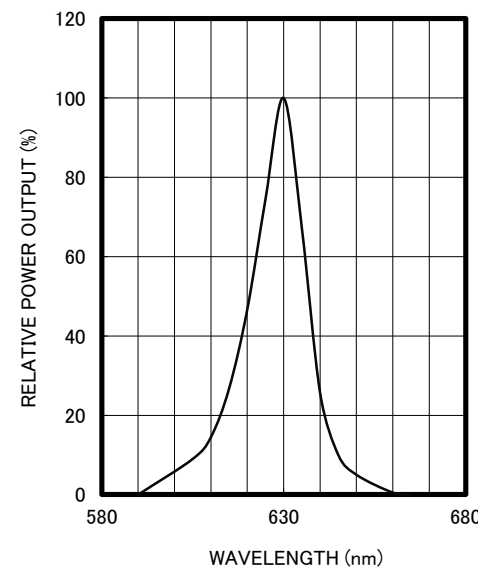
FORWARD I-V CHARACTERISTICS



RELATIVE POWER vs FORWARD CURRENT



SPECTRAL OUTPUT

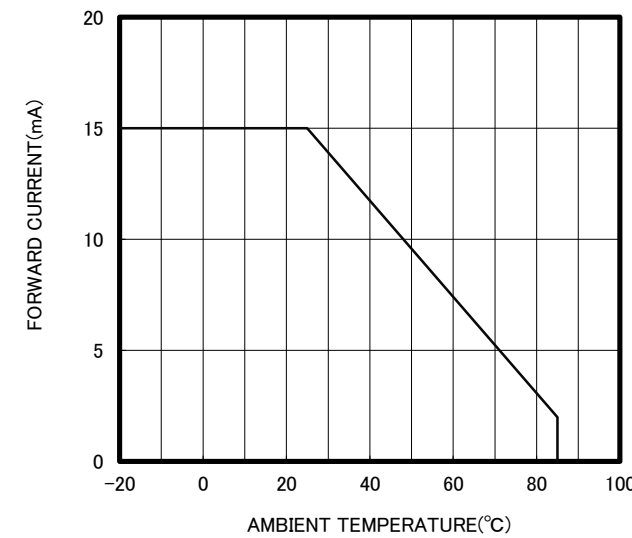


1. ABSOLUTE MAXIMUM RATINGS (Ta=25°C)

ITEM	SYMBOL	RATINGS	UNIT
Forward Current (DC)	IF	15	mA
Forward Current (Pulse)*1	IFP	30	mA
Reverse Voltage	VR	5	V
Power Dissipation	PD	45	mW
Operating Temp.	Topr	-20 TO 85	°C
Storage Temp.	Tstg	-30 TO 100	°C
Lead Soldering Temp.	Tls	260	°C

*1: Tw=10uS, T=10mS

THERMAL DERATING CURVE



RADIATION PATTERN

